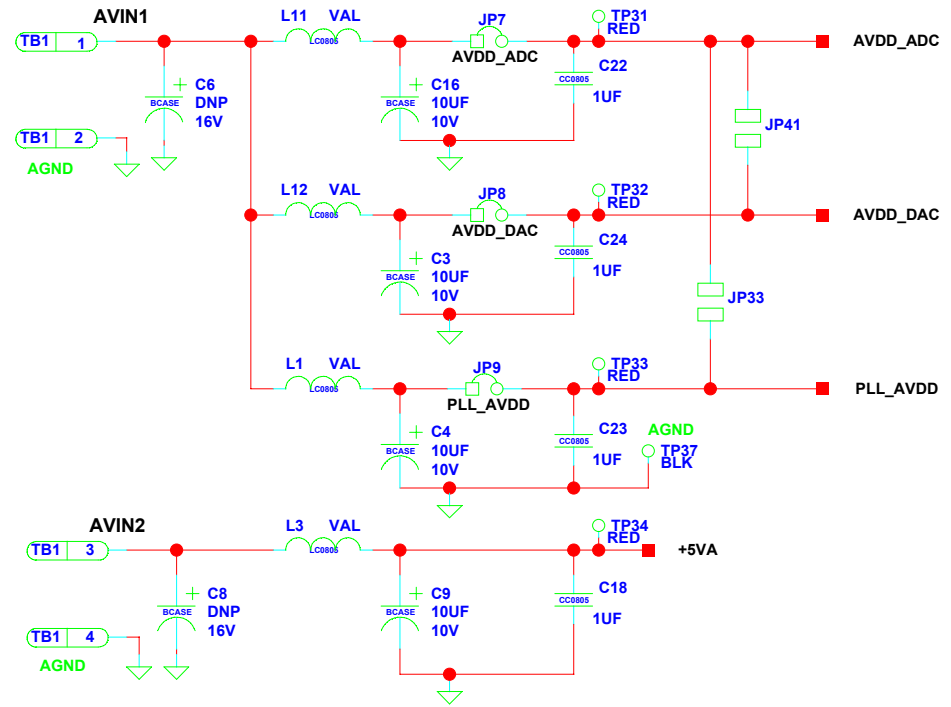
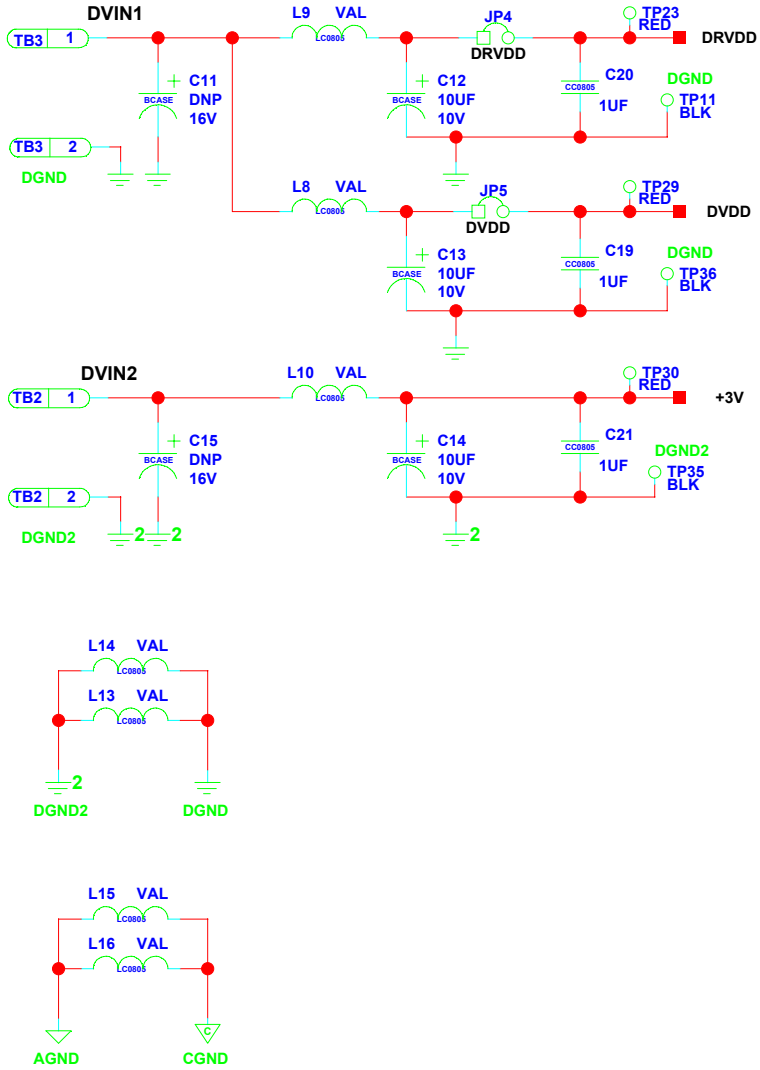


# Power Supply



REVISIONS			
REV	DESCRIPTION	DATE	APPROVED
B	Revision of pluto64dual Rev A.	0306.04	JRM
C	alter component package JP50, C43. misc labeling. spread J11,J12	0308.18	JRM

	<b>WILMINGTON MANUFACTURING</b> 804 WOBURN STREET WILMINGTON, MA 01887	SIZE	FSCM NO	DRAWING NUMBER	REV
		<b>B</b>	NONE	<b>AD9861-63</b> FILEDATE=0308.18	<b>C</b>
DRAWN BY: <b>WOOK KIM</b>		APPROVED BY:		SCALE	SHEET 1 OF 9



4

3

2

1

D

D

C

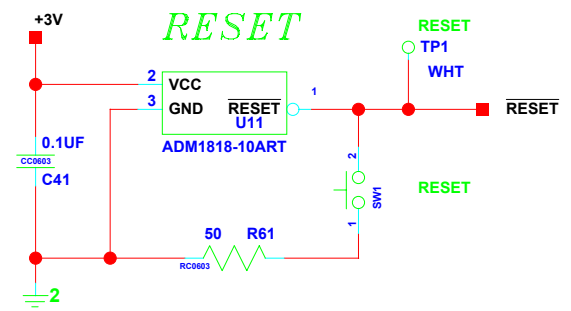
C

B

B

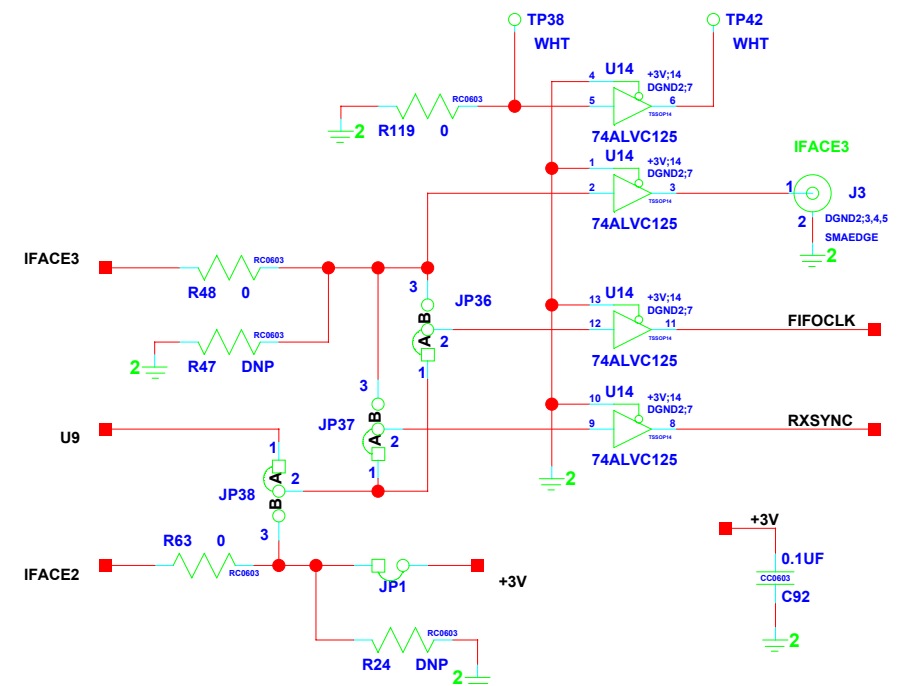
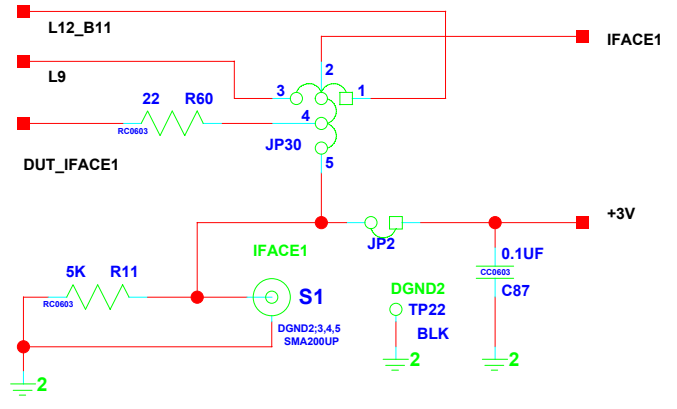
A

A

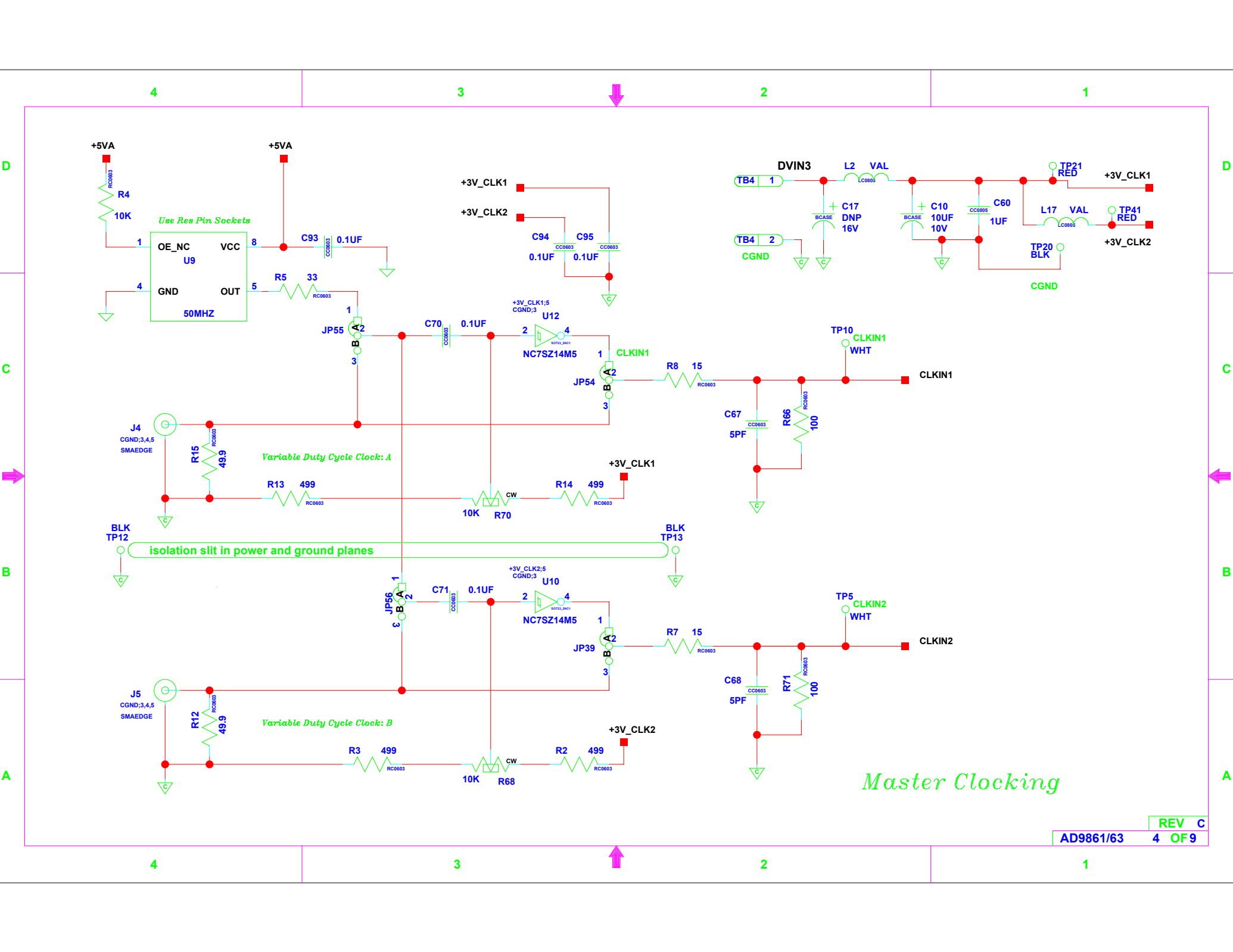


*RESET*

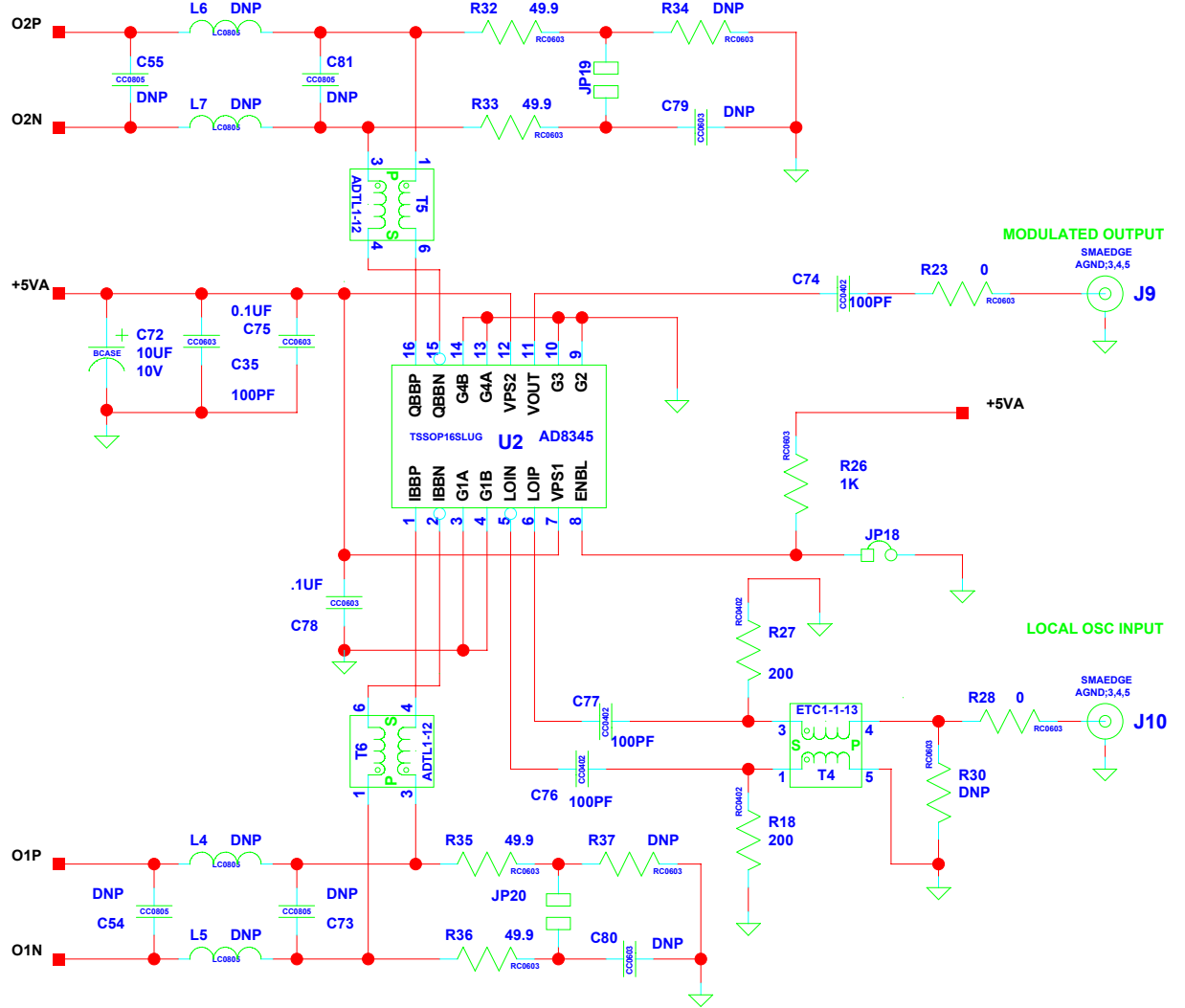
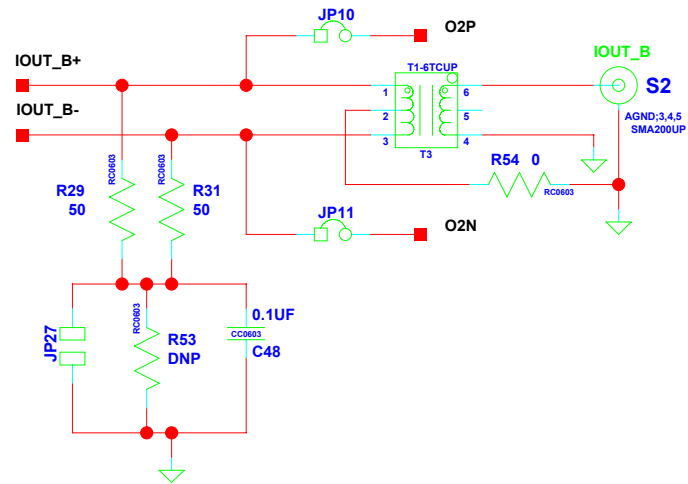
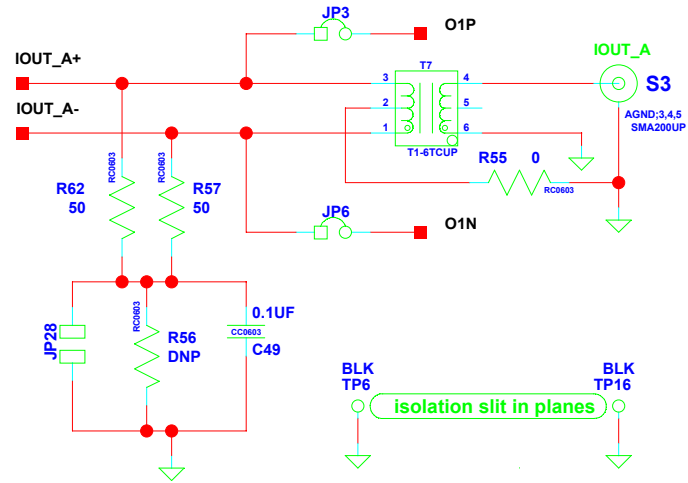
*IFACE1*



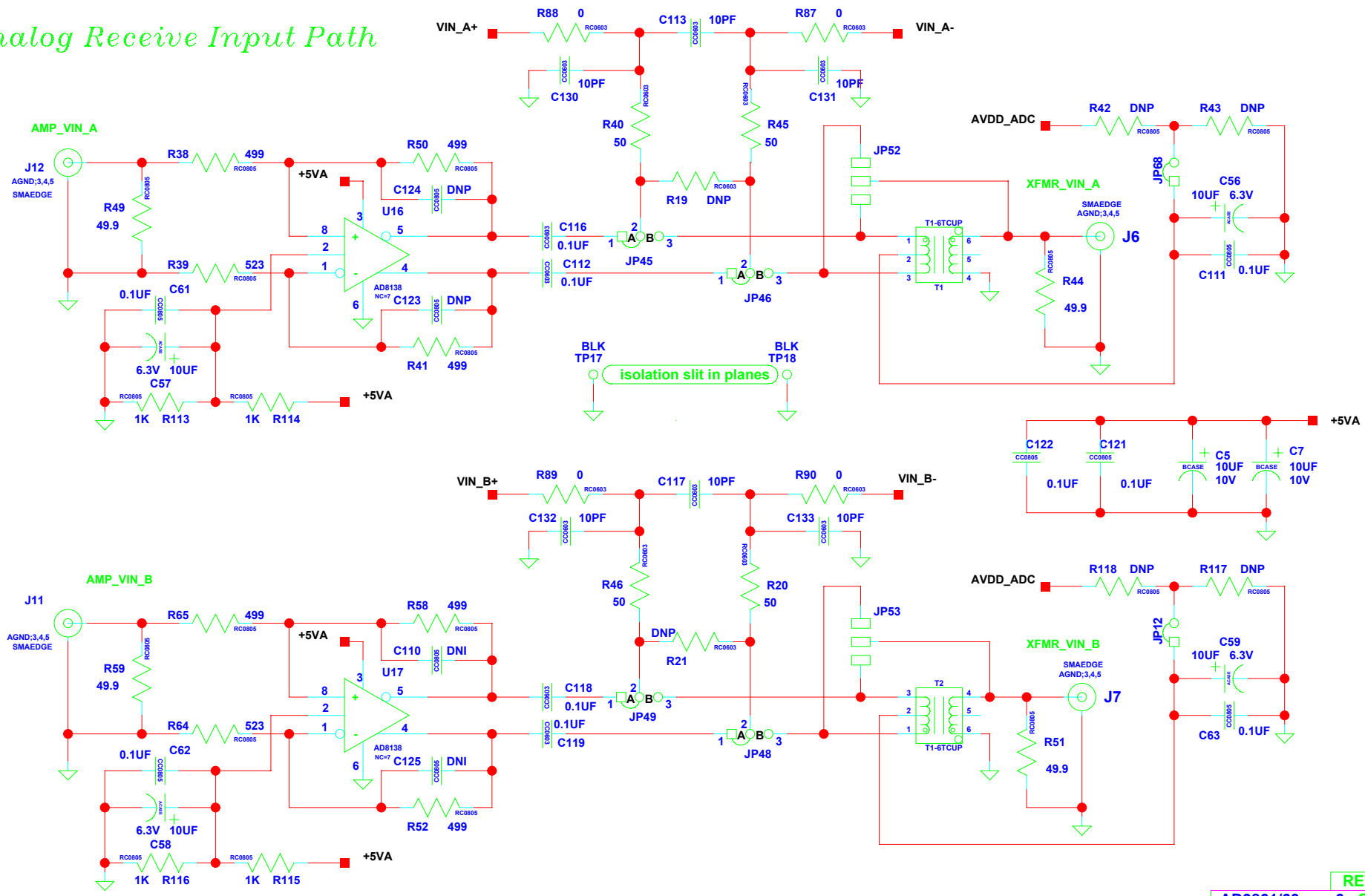
*IFACE 2 & 3*

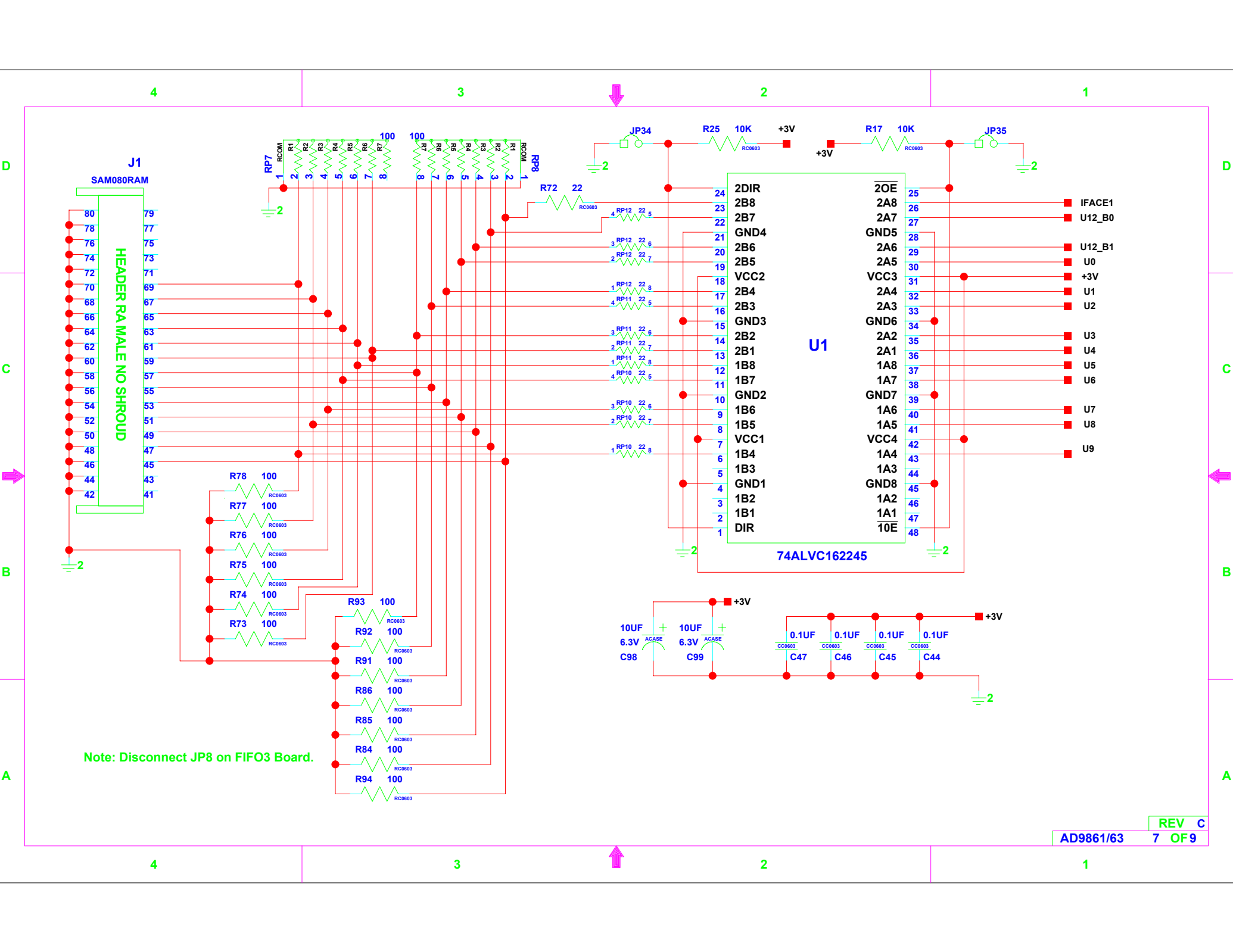


# TX Output Path



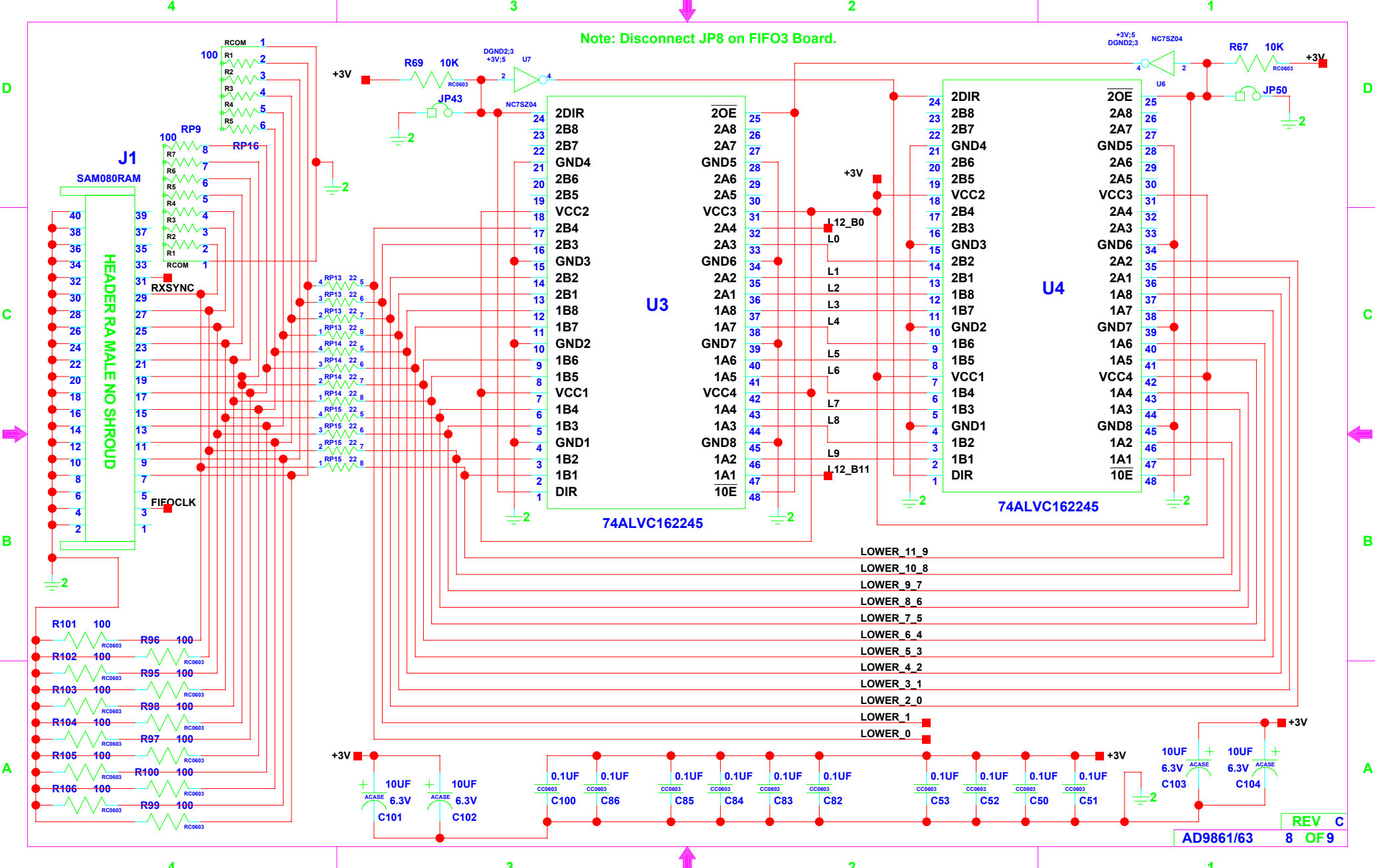
# Analog Receive Input Path





Note: Disconnect JP8 on FIFO3 Board.

Note: Disconnect JP8 on FIFO3 Board.





# Parallel Port Interface

